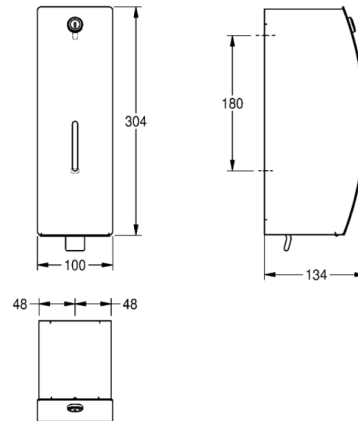


STRATOS Soap dispenser for wall mounting

MODEL RANGE: STRATOS | FW-STRX618

Accessories | Soap dispensers



Soap dispenser for wall mounting, stainless steel, surface satin finished, front with InoxPlus surface refinement for the reduction of finger marks and better cleaning characteristics (easy to clean), material thickness 1.5 mm, curved front cover, cylinder lock with Franke standard key, inspection window on front, suitable for liquid soaps and lotions, 0.8 liter soap tank, with plastic pull lever, includes stainless steel screws and dowels.

Dimensions 100 x 304 x 134 mm (W x H x D)

Technical data	
Material thickness	1.50 mm
Overall depth	134.00 mm
Overall height	304.00 mm
Overall width	100.00 mm
Material	Stainless steel
Material code	1.4301 Chrome Nickel steel V2A
Surface finish	Satin finished
Type of fixing	Screw
Filling quantity	0.80000
Filling quantity uom	Liter
Lock	Key-lock
Type of consumable	Liquid soap
Type of operation	Manual operation
Type of soap container	Integrated refillable tank
Surface treatment	InoxPlus (anti fingerprint)

