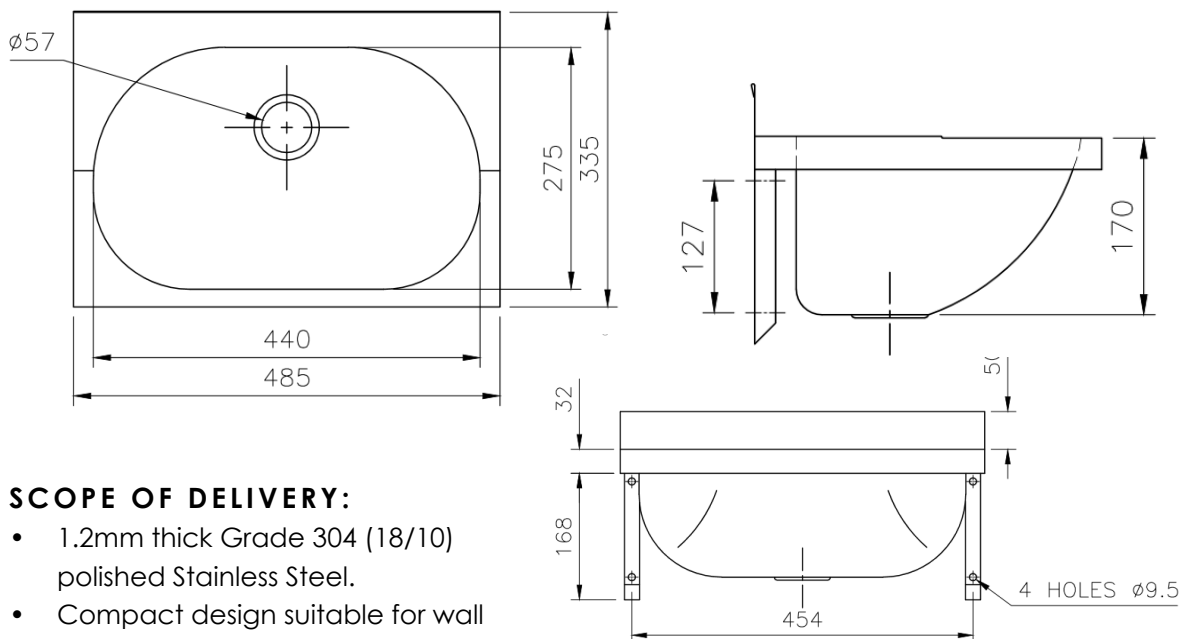


Industrial stainless steel Oval KB hand wash basin



SS-OVAL-KB

Oval KB Wash Hand Basins, 485 x 335 x 250 mm. Unit to be manufactured from Grade 304 (18/10) Stainless Steel, 1,2mm gauge. Unit to include a one piece pressed bowl, 440 x 275 x 170 mm deep with a 40mm waste outlet, with a 50mm splash back and 100mm radiused apron. Basin to be supplied with integrated factory fitted wall bracket with 9.5mm diameter holes to fix the basin to a wall. The basin is designed for wall mounting with 4 x 6mm anchor bolts (not supplied).



SCOPE OF DELIVERY:

- 1.2mm thick Grade 304 (18/10) polished Stainless Steel.
- Compact design suitable for wall surface mounting
- Basin with pressed bowl.
- Hygienic and vandal resistant.
- Tap holes optional.
- 40mm sink waste.
- Wall mounted brackets integrated and factory fitted. Made from grade 304 (18/10) stainless steel.

