



Chilli-B

012 809 4026
 Tel:012-809 4026
 Fax: 086-602 5745
 retha@chilli-b.co.za
 antonius@chilli-b.co.za
 www.chilli-b.co.za



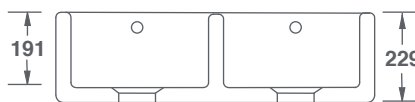
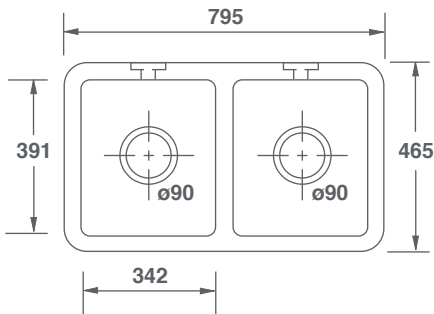
CONTEMPORARY COLLECTION – DOUBLE BOWL 800 –



FEATURES

Compact double bowl sink with central dividing wall. Central 3½" waste outlets suitable for basket strainers or waste disposers. Round overflows. Lifetime warranty.

All our sinks come in a choice of white or biscuit.



Product	Code	Dimensions					
			W	D	H	Waste	Weight
Double Bowl 800 White	SCLD800WH	(mm)	795	465	229	90	62kg
		(in)	31	18½	9	3½	
Double Bowl 800 Biscuit	SCLD800PN	(mm)	795	465	229	90	62kg
		(in)	31	18½	9	3½	

Please note: All nominal dimensions in mm. Dimensions may vary by +/- 2% due to manufacturing process

For expert advice or to purchase, please contact our Customer Service Team on +44 (0) 1254 775111. Alternatively, we can be contacted via email at sales@shawsofdarwen.com or by fax on +44 (0) 1254 873462.