

Chilli-B

012 809 4026
Tel:012-809 4026
Fax: 086-602 5745
retha@chilli-b.co.za
antonius@chilli-b.co.za
www.chilli-b.co.za



Harmony

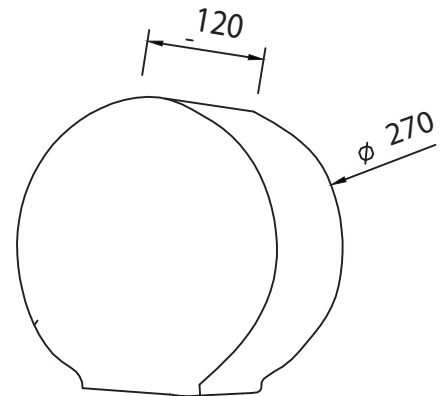
RANGE



Harmony Deca Roll Dispenser

SPECIFICATIONS

★ Product code	00905(White) 00915(Satin) 00905-DE(Black) 00905-DL(Black/chrome)
★ Dimensions	Diameter 270mm Depth 120mm
★ Finish	White. Satin, Black & Black/SS
★ Capacity	Maximum roll diameter 260mm



PRODUCT DESCRIPTION

These toilet roll holders are a more robust option for washroom environments. They are mounted to the wall by means of 3 screws with corresponding 5mm wall plugs. It has a press lock system that allows for opening the lid for easy roll replenishment.

FEATURES

- Robust ABS or ABS/SS body, fully sealed
 - Supplied with a standard core size
 - Weight 1.48 kg
 - Plugs and mounting fittings included
 - Suggested mounting heights:
Men 65mm, Woman 65mm, Disabled 70mm
- *Measurements are based from the floor upwards

BENEFITS

- Suited to high traffic areas
- An ideal solution for schools, hospitals and clinics
- Lockable with a simple press lock system
- Inner core size - 35mm