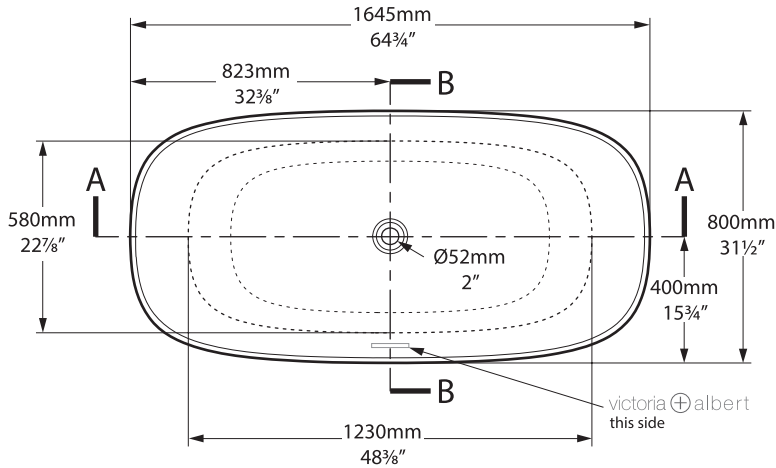
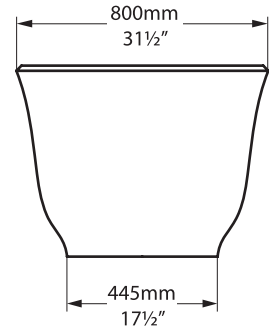


Amiata AMT-N-SW

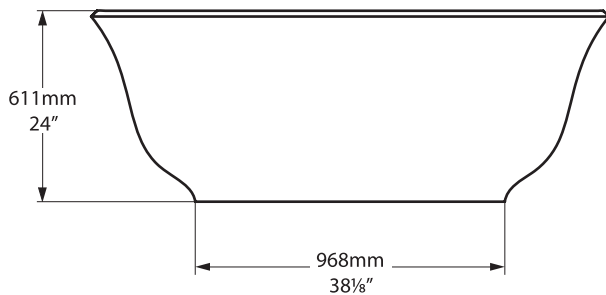
Top view



Front view

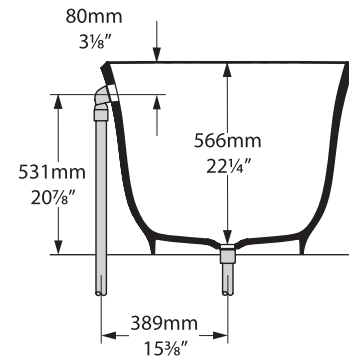


Side view

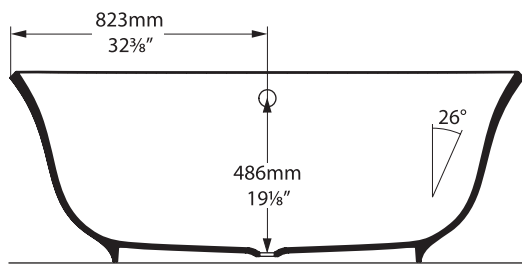


Section BB

Shown with K17 waste kit

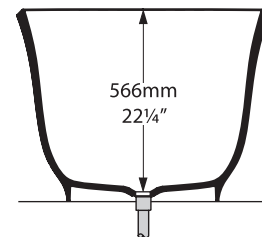


Section AA



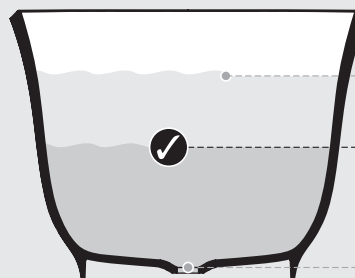
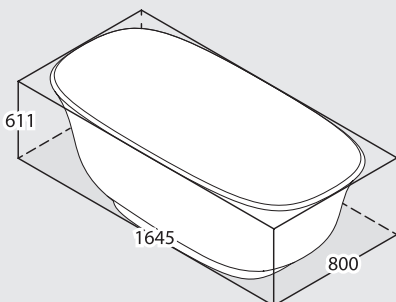
Section BB

Shown with K12/K40 waste kit



*All measurements subject to +/-5% tolerance

*Overflow hole not drilled



345	280 ltr
219	154 ltr
65	0 ltr

