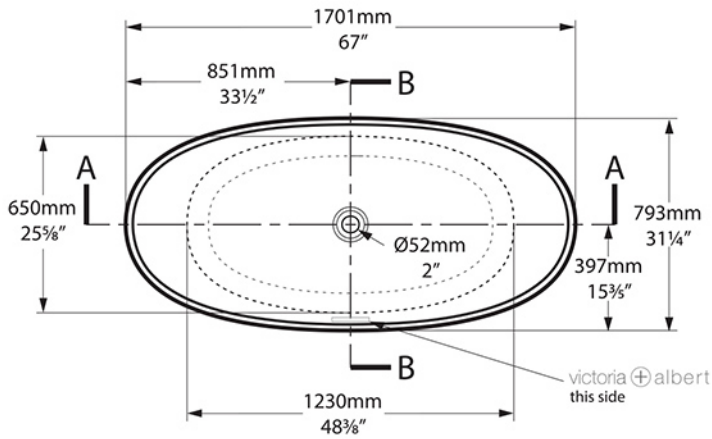
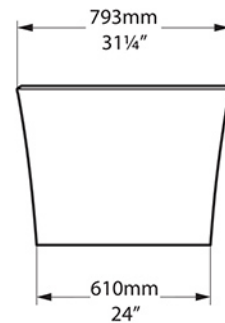


# ionian INN-N-SW

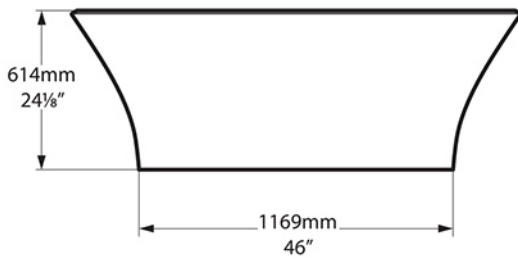
Top view



Front view

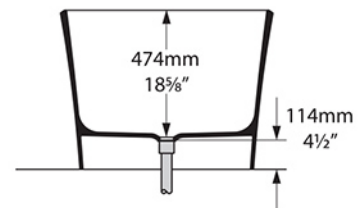


Side view

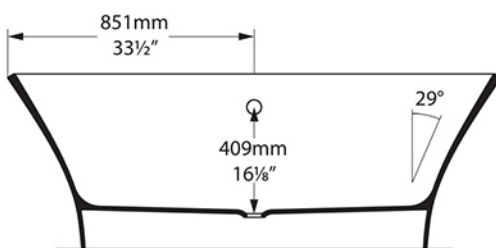


Section BB

Shown with K12 waste kit



Section AA



\*All measurements subject to +/-5% tolerance  
\*Overflow hole not drilled

